

APX18 Standalone 125kHz Proximity Reader



The APX18 is a compact, waterproof stand-alone programmable access control reader which can suit up to 2000 users.

The product is simple in design and the operation and is highly reliable, with programming via the remote control handset or by simply using the add and delete card. The reader offers a 2 amp lock relay and can control doors or gates with most types of electric locking from the Securefast range (additional relay needed if locking uses more than 2 Amps).

The unit can be powered from 9V to 24V DC and draws a current of 40mA.



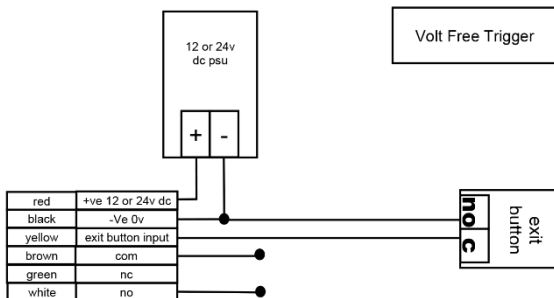
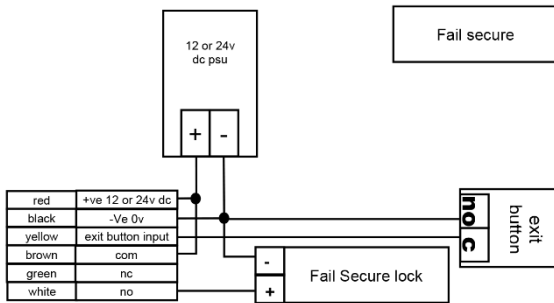
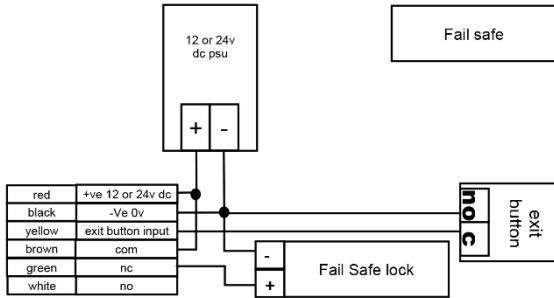
Features & Benefits

- Waterproof, conforms to IP66
- One relay, 2000 users, standalone
- Card type: 125kHz EM card only
- Working Temperature: -40°C ~ 60°C
- Pulse mode, toggle mode
- Built in LDR for anti tamper
- Card block enrolment
- Easy for programming by master cards and remote control
- Easy to install (6 wires only)

Stock Codes	
APX18	Standalone Proximity Reader
AC7101	Fobs
AC7100	Cards



APX18 Standalone 125kHz Proximity Reader



Specifications	
Card User Capacity	2000
Operating Voltage	9~24V DC (< 40mA Idle Current)
Proximity Card Reader	EM
Radio Technology	125KHz proximity card
Read Range	3~10cm
Wiring Connections	Relay output, exit button
Relay	One (NO, NC, Common)
Adjustable Relay Output Time	0-99 Seconds (5 seconds default)
Lock Output Load	2 Amp Maximum
Environment	Meets IP66
Operating Temperature / Humidity	-40 °C ~ 60 °C / 20% RH ~ 98% RH
Physical	ABS Shell
Colour	Black
Dimensions	10.3L x 4.8W x 2.0H (cm)
Unit Weight	100g
Shipping Weight	150g

For further information contact:

Securefast plc
 6, The Cedars Business Centre
 Avon Road, Cannock
 Staffordshire
 WS11 1QJ



Call > +44 (0) 1704 502 801

Email > sales@securefast.co.uk

Visit > www.securefast.co.uk