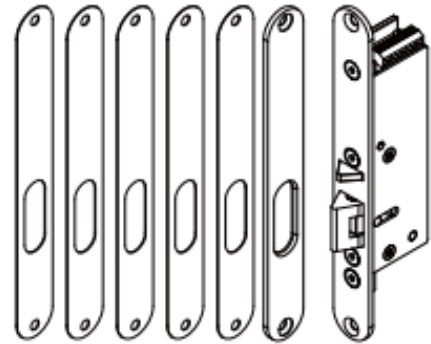


ML-350/360 Series Electric Lock Installation Instructions

Specifications

- Operating Voltage: 12 or 24 VDC
- Voltage Tolerance: $\pm 10\%$
- Current Draw: 280mA/12VDC; 140mA/24VDC
- Operating Temperature: $-10\sim 45^{\circ}\text{C}$
- Humidity: 0~95% non-condensing
- Solenoid Testing: Tested to over 250,000 cycles
- Preload: 500 lbs of pressure strength
- Finish: Stainless steel
- Net Weight: ML-350:673g, ML-360:1380g
- Applicable to horizontal or vertical installations
- Locking Mode: Fail-safe locked
- Fire Resistance Test Conducted in Accordance with BSEN 1634-1: 2014 and BSEN 1363-1: 2012 (For ML-350)



Double Swinging Door

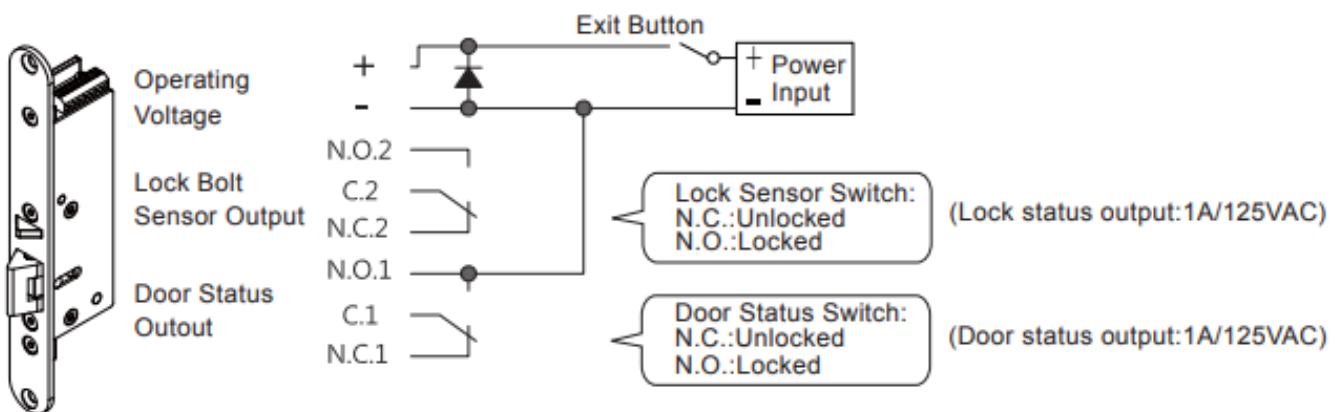


Outswinging Door



Inswinging Door

Wiring Diagram



Mortise Mounted Vertical Installation (ML-350)

