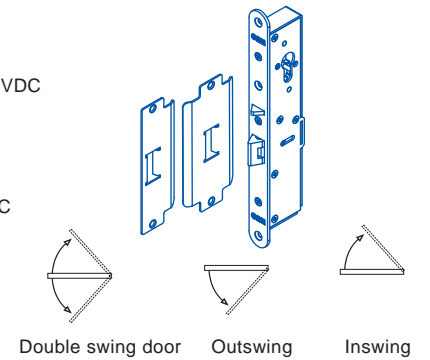


# ML-300-SW Electromechanical Lock Installation Instruction

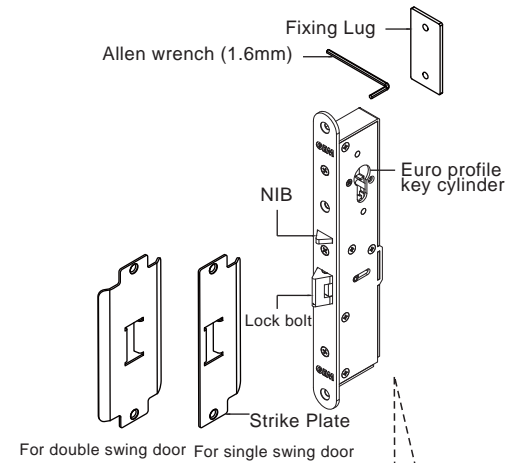
## Specification

- Operating Voltage » 12~24VDC/AC
- Voltage Tolerance »  $\pm 10\%$
- Current Draw » ML-300-SW: 210mA/12VDC; 150mA/24VDC
- Version Changeable » Fail-safe or Fail-secure
- Operating Temperature »  $-10\sim 45^{\circ}\text{C}$
- Humidity » 0~95% non-condensing
- Lock bolt sensor switch output » SPDT rated 3A/125VAC
- Solenoid testing » Tested to 1,000,000 cycles
- Net Weight » 815g
- Just applicable to vertical installation

## Double Swing Doors

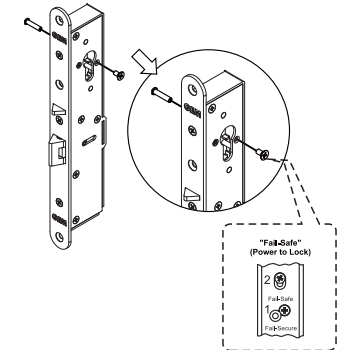


## Packing Contents

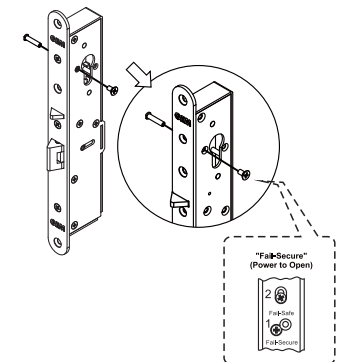


## Stud bolt Position

For fail-safe mode

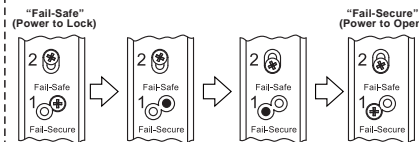


For fail-secure mode



### Version Changeable:

Take out the Screw 1, release screw 2, move the position and then tighten both screws.



### ⚠ Caution:

Do not completely remove screw 2 (as marked in the figure) as the interior solenoid might fall off.

