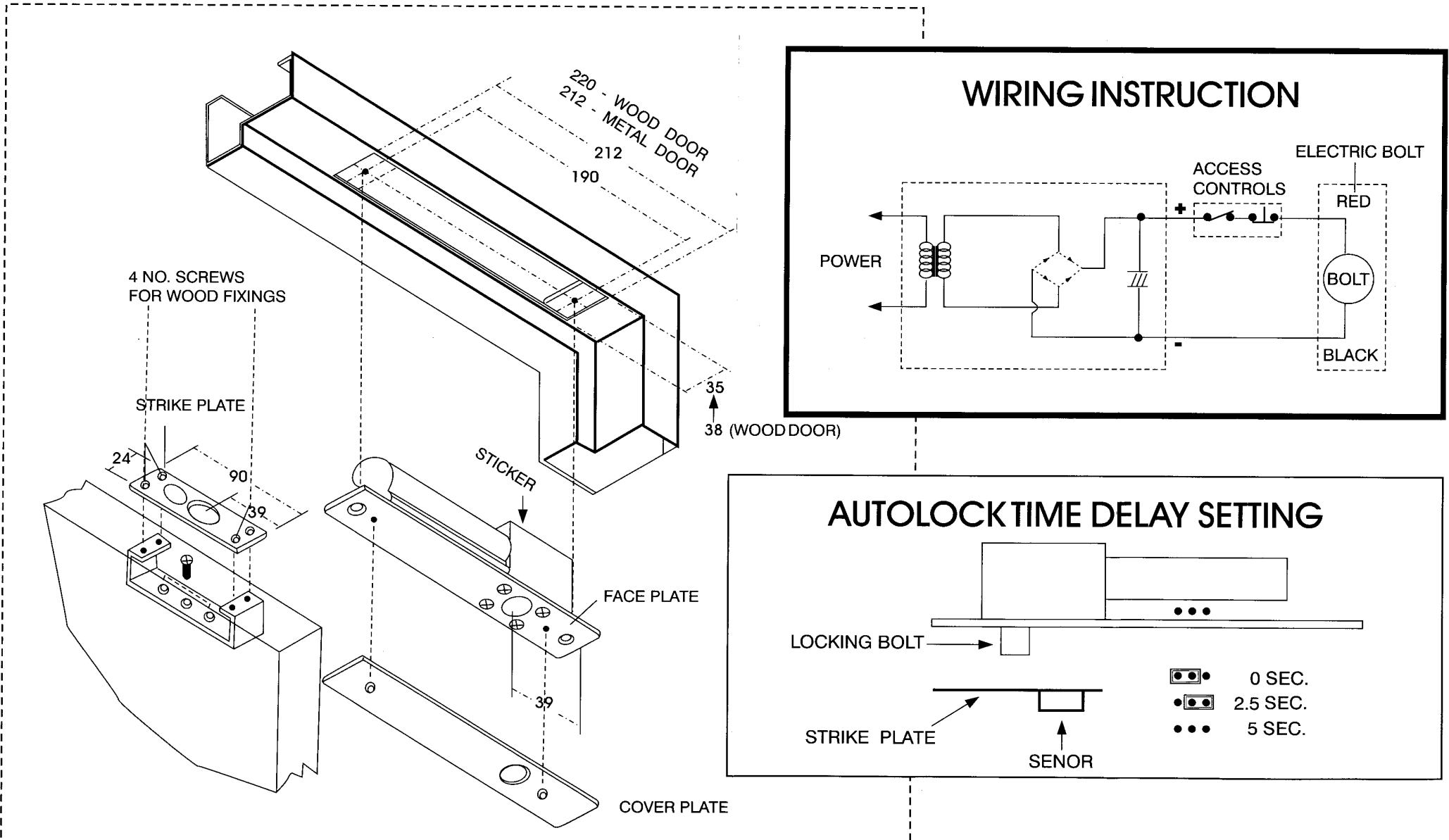


Installation Notes: The Solenoid bolt should only be installed in either the Frame Header or Side frame of the Door (DO NOT fix into the bottom of the door). When fixing to a Double Swing door there must be a Door Closer fitted to ensure the door closes to the same position each time. The gap between the Bolt Faceplate and Strike plate should be no more that 6mm. The tubular bolt will only throw when the Strike plate and Solenoid bolt are correctly aligned. The bolt can be set to lock in 0, 2.5 or 5 seconds after power is applied (see Autolock Time Delay Setting below).



1. SPECIFICATIONS

STANDARD VOLTAGE: 12VDC 0.9Amp

RED → POSITIVE (+)

BLACK → GROUND (-)

REVERSE POLARITY PROTECTION

SOLENOID : CONTINUOUS DUTY

CURRENT : START 0.9A, STANDBY 0.3A. AT 12VDC

AUTOMATIC DEADBOLT : STANDARD ON ALL MODELS

AUTO RELOCK JUMPER : ADJUSTABLE (FROM 0 TO 5 SECONDS)

FAIL SAFE : LOCKED WHEN ENERGIZED (POWER TO LOCKED FAIL UNLOCKED).

BOLT : 15.5mm DIA. STAINLESS STEEL 16mm THROW.

CUTOUT : SIZE 212mmL × 35mmW (A 43mm Backset minimum must be present)

COVER PLATE : SIZE 220mm × 38mmW × 0.8mmD.

FACE PLATE : SIZE 210mmL × 34mmW × 3mmD.

STRIKE : SIZE 90mmL × 24mmW × 27mmD.

MOUNTING HARDWARE : 2PC. EXT. PLATE.

5PC. M5 × 15 LONG SCREWS.

8PC. M4 × 11 LONG SCREWS.

WEIGHT : 0.9KGS.

2. OPTIONS

SIGNAL:

LOCK STATUS SENSOR : INDICATES BOLT LOCKED OR UNLOCKED.

BLUE : NORMALLY OPEN

WHITE : COMMON

YELLOW : NORMALLY CLOSED

SWITCH DATA : SPDT 1.0amp. 30V AC/DC.

DOOR POSITION SENSOR : INDICATES DOOR OPEN OR CLOSED.

GREEN : NORMALLY OPEN

GREY : COMMON

ORANGE : NORMALLY CLOSED

SWITCH DATA : SPDT 0.5amp. 30V AC/DC. (MAGNETIC REED SWITCH).

Note: This lock MUST be connected to a Regulated 12v dc Power supply rated at 2 amp Minimum.

*** NOTE: ALL DATA ARE SUBJECT TO CHANGE WITHOUT NOTICE.