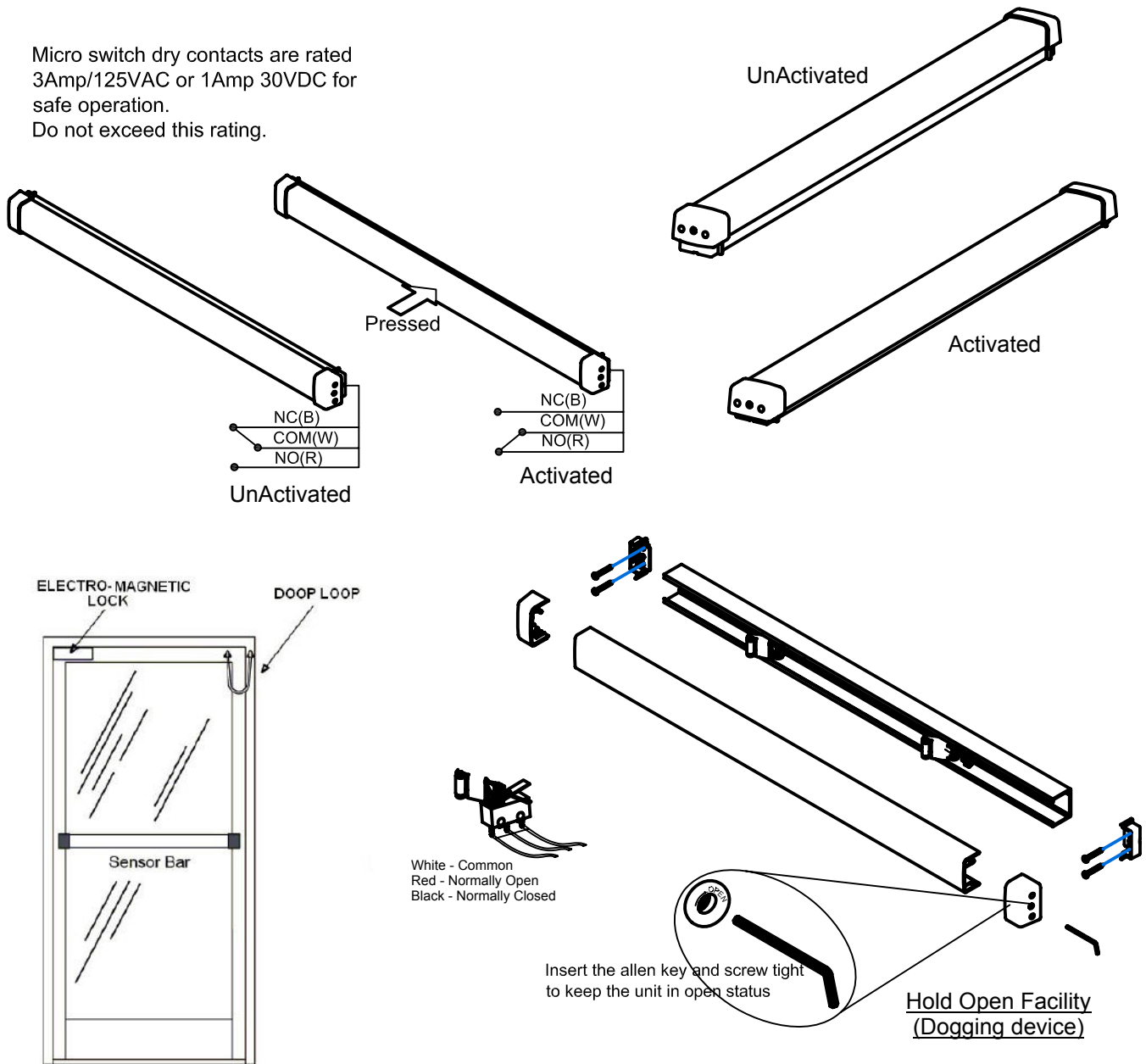
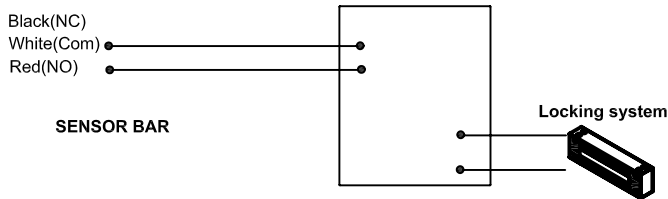


Micro switch dry contacts are rated 3Amp/125VAC or 1Amp 30VDC for safe operation. Do not exceed this rating.



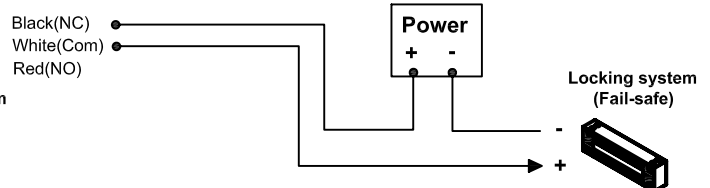
A

ACCESS CONTROL UNIT



A. Applied with Access Control system. Press the Sensor bar to activate the access control unit to open.

B



B. Applied to fail safe locking system, to activate it. When applied to non-fail safe lOckIng system, connect to red wire (NO).

For Technical Support call 01704-502815. Monday to Thursday 8.30am - 5pm, Friday 8.30am - 4pm