

Euro Profile Cylinder Mortice Night Latch



The mortice deadlocking night latch is available in two case sizes (64 and 76mm) and two finishes, (Polished Brass and Stainless Steel)

The night latch case is available with or without holdback and can be operated via a euro profile cylinder or lever handle from either side. The strong internal follower spring also makes it suitable for an un-sprung lever and with apertures for bolt-through fixing.



Features & Benefits

- UK Manufactured lock cases
- Heavy follower spring for non-sprung furniture
- Reversible brass latch bolt
- 38mm Bolt-through fixing centers
- Anti-thrust fitted to prevent latch being forced back
- Hold back snib available
- Polished brass striker and forend or Stainless Steel striker and forend

For further information contact:

Securefast plc
6, The Cedars Business Centre
Avon Road, Cannock
Staffordshire
WS11 1QJ

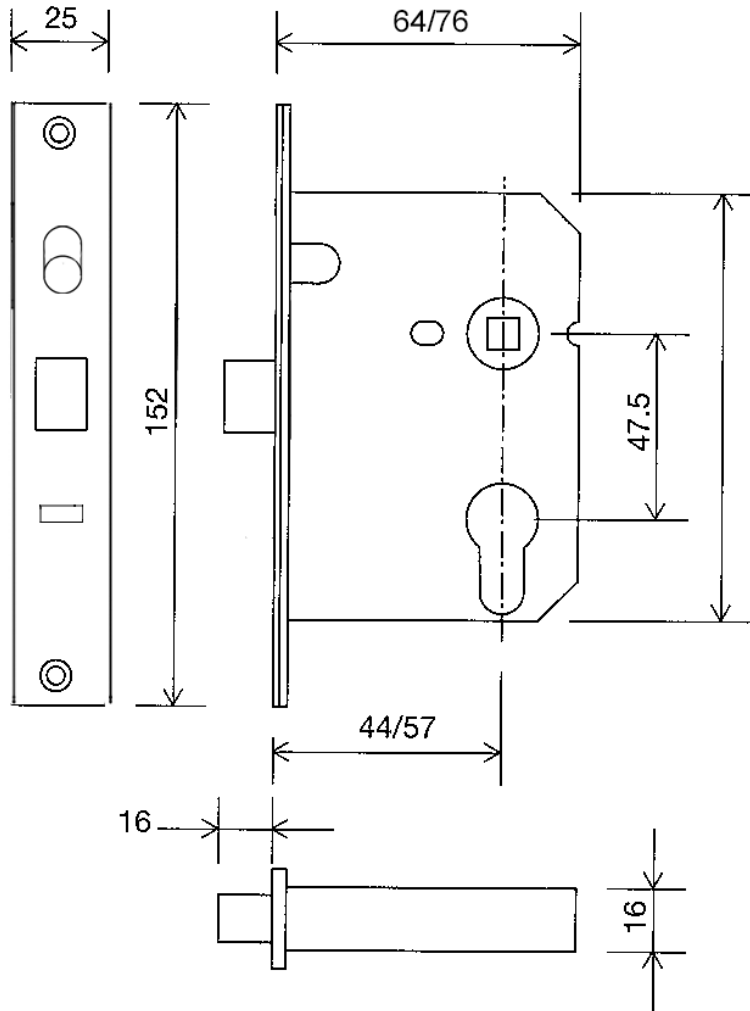


Call > +44 (0) 1704 502 801

Email > sales@securefast.co.uk

Visit > www.securefast.co.uk

Euro Profile Cylinder Mortise Night Latch



Stock Code	Description
SEU511.1	64mm Deadlocking Night Latch - Polished Brass
SEU512.1	76mm Deadlocking Night Latch - Polished Brass
SEU511.2	64mm Deadlocking Night Latch - Stainless Steel
SEU512.2	76mm Deadlocking Night Latch - Stainless Steel
SEU513.1	64mm Deadlocking Night Latch with Holdback - Polished Brass
SEU514.1	76mm Deadlocking Night Latch with Holdback - Polished Brass
SEU513.2	64mm Deadlocking Night Latch with Holdback - Stainless Steel
SEU514.2	76mm Deadlocking Night Latch with Holdback - Stainless Steel