

400 Series Touch Bar



The 400 series touch bar panic exit range comprises of a full width touch bar and modular components providing single and three point latches with horizontal Pullman latches and a 2 point bolts with vertical Pullman latches.

Supplied with dogging as standard but can be provided without if required.

The strong Zinc Alloy Electroplated case also offers a reasonable amount of protection against vandalism.

Certification

- Tested and certified to EN1125 (Classification Code 3-7-7-B-1-4-2-2-B-A)
- Fire tested to EN1634-1

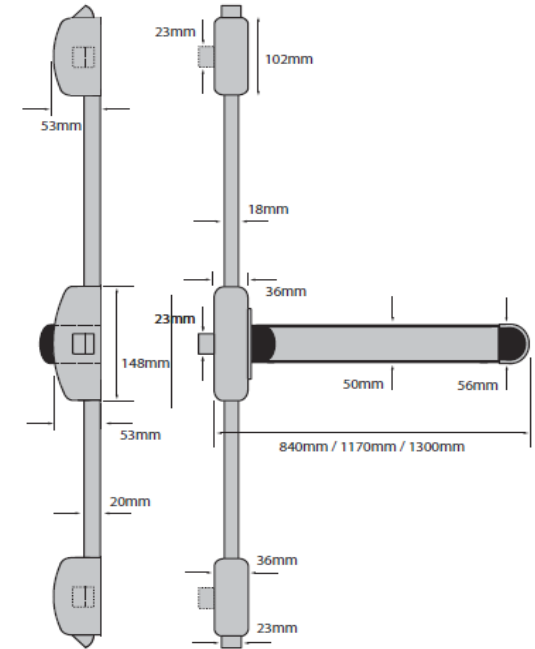
Features & Benefits – Touch Bar

- Available with a micro-switch contained in the operating mechanism
- Hold-back facility as standard
- Standard size touch bar is 840mm which is suitable for doors up to 860mm wide. Additional wide units 1170mm and 1300mm are available on request. Long vertical rods can be provided for doors up to 3150mm high to special order.
- Strikers are available for PVC-U, Aluminium and Steel Doors
- Manual Outside Access Device fitted with a 40mm Euro Single Cylinder can be used for access from the outside. (Cylinder supplied separately)



400 Series Touch Bar

Product Code	Description	Finish
SED401-SE	Single Latch Touch Bar	Silver
SED402-SE	Two Point Touch Bar	Silver
SED403-SE	Three Point Touch Bar	Silver
SED401-SC	Single Latch Touch Bar	Satin Chrome
SED402-SC	Two Point Touch Bar	Satin Chrome
SED403-SC	Three Point Touch Bar	Satin Chrome
SED401-MS-SE	Single Latch Touch Bar with Micro-switch	Silver
SED402-MS-SE	Two Point Touch Bar with Micro-switch	Silver
SED403-MS-SE	Three Point Touch Bar with Micro-switch	Silver
SED401-MS-SC	Single Latch Touch Bar with Micro-switch	Satin Chrome
SED402-MS-SC	Two Point Touch Bar with Micro-switch	Satin Chrome
SED403-MS-SC	Three Point Touch Bar with Micro-switch	Satin Chrome
SED400-SE	Outside access device with lever no cylinder	Silver
SED400-SC	Outside access device with lever no cylinder	Satin Chrome



For further information contact:

Securefast plc
 6, The Cedars Business Centre
 Avon Road, Cannock
 Staffordshire
 WS11 1QJ



Call > +44 (0) 1704 502 801

Email > sales@securefast.co.uk

Visit > www.securefast.co.uk