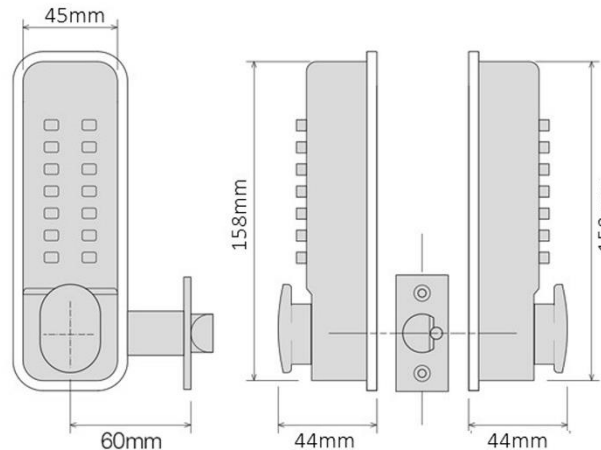


SBL380.S Easy Code Back to Back Mechanical Digital Push Button Lock



The SBL380 is a easy code mechanism back to back digital lock, supplied with 60mm backset deadlocking tubular latch. Having a keypad both sides of the door allows a greater control of who enters and exits the area.

The easy code range has all the operating features of the conventional code change range but has been designed to simplify the code change process by eliminating the need to move retainers around in the mechanism.



Product Code	Description
SBL350.S	Push Button lock with key override
SBL350.SFR	Fire Rated Push Button lock with key override

Features & Benefits

- Supplied with 60mm backset deadlocking tubular latch
- Suitable for external use having completed 240hr salt spray test to EN1670
- Code access from both sides
- Digital codes can be set different on each side
- Suitable for timber doors 35 - 65mm thick
- Compact and robust zinc die cast body
- Supplied with two black neoprene seals
- Latch is performance tested to EN12209
- Over 8000 non-sequential code combinations
- Fixing centres 147mm
- 13 code buttons
- No of digitals per code is 1 - 13
- Satin Chrome finish

For further information contact:

Securefast plc
6, The Cedars Business Centre
Avon Road, Cannock
Staffordshire
WS11 1QJ



Call > +44 (0) 1704 502 801

Email > sales@securefast.co.uk

Visit > www.securefast.co.uk