

### FIKE TWINFLEX<sup>pro</sup>2



Stock Code	Description
FDWP2-PRO	2 Zone Panel & Power Supply
FDWP4-PRO	4 Zone Panel & Power Supply
FDWP8-PRO	8 Zone Panel & Power Supply
FB5/3.2FR	Fire rated battery (2 needed per panel)

**NOTE** Fike recommend using Fire rated batteries in their panels as they used fire rated batteries when testing the panels and obtaining approvals, (product code F140/FR)

*The TwinflexPro<sup>2</sup> panel is an intelligent 2-wire panel that is available in 2,4 & 8 zone variants which support up to 32 Twinflex devices per circuit.*

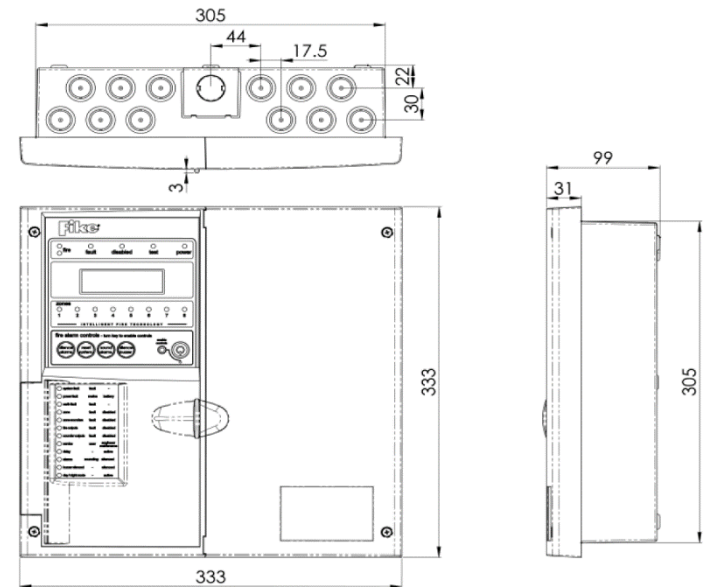
*The TwinflexPro<sup>2</sup> is able to recognise and separately identify between smoke detector, heat detector and a manual call point alarm. The panel also monitors each zone for detector head removal, device fault, End of line fault and open or short circuit fault.*

The panel provides two monitored outputs that may be configured as conventional sounder circuits, a volt free common fire relay and a volt free common fault relay. There are also two multifunction latching/non-latching inputs and one monitored input programmable with options such as Class-Change and Remote fire.

The control panel also incorporates an integral power supply unit and requires 2 x 12V 3.2 AMH batteries to provide up to 72 hour standby times.

#### Features & Benefits

- Analogue non-addressable
- 2,4 & 8 zones available
- Incorporates integral power supply unit
- 32 Twinflex devices per circuit
- Range of detectors available
- All devices can be installed on the same cable so no need for separate sounder circuits
- 72 hours standby in the event of mains power failure



### FIKE TWINFLEX<sup>pro</sup> 2

	2 Zone Panel	4 Zone Panel	8 Zone Panel
Dimensions (mm)	331 x 331 x 99		
Weight (excluding batteries)	2.25kg	2.28kg	2.36kg
Construction	VO rated ABS		
IP rating	IP 30		
Cable entry	13 x 20mm knockouts 1 x 50mm x 50mm pull out tab		
Cable type	2 core 1.5mm <sup>2</sup> screened fire rated cable, 500mm (max per zone)		
Detector zones	2 max	4 max	8 max
Detectors per zone	Up to 32 devices dependant on Device Loading Units (DLU's) not exceeding the stated maximum loading		
Device protocol	TWINFLEX V3 + TWINFLEX pro		
Monitored sound circuits	Up to 2 (250mA)	Up to 2 (250mA)	Up to 2 (200mA)
Monitored relay circuits	Up to 2 (250mA)	Up to 2 (250mA)	Up to 2 (200mA)
Relays on board	Common fire and common fault		
Operating standard	BS EN54-2 & 4		
Operating temperature	5° to 40°C		
Mains supply range	230V AC, +10% - 15%, 50/60Hz		
Event log	500 events		



For further information contact:

**Securefast plc**  
 6, The Cedars Business Centre  
 Avon Road, Cannock  
 Staffordshire  
 WS11 1QJ



**Call** > +44 (0) 1704 502 801

**Email** > sales@securefast.co.uk

**Visit** > www.securefast.co.uk