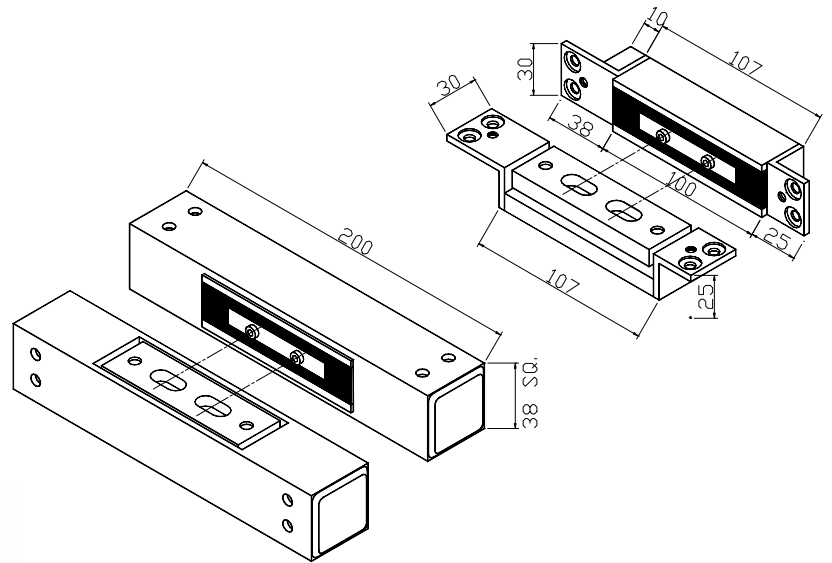


MS41 Shearlock

Order Code : MS41SFM (Flush)
MS41SSM (Surface)



- Compact 30mm wide x 100mm long
- Up to 1000Kg shear force
- Glass fixing for door and overpanel
- Combination of flush and surface
- No loss of headroom
- 12/24v voltage range
- 1.5A pull in for 2 seconds
- 0.5A continuous hold
- Monitored as standard
- Door reed contact integral



Flush

Surface

○ Available in these following options:

Double	<input checked="" type="checkbox"/>
Surface	<input checked="" type="checkbox"/>
Flush	<input checked="" type="checkbox"/>
Monitored	<input checked="" type="checkbox"/>
Door status	<input checked="" type="checkbox"/>

Glass fixing bracket



Installation Diagrams

